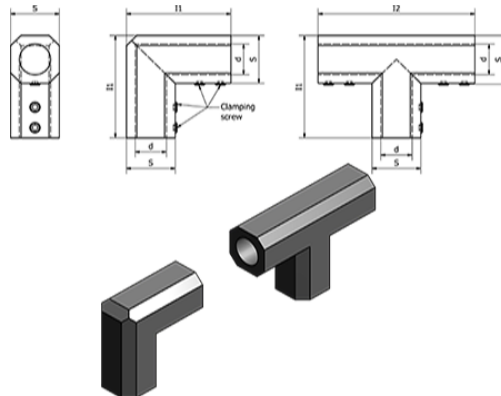


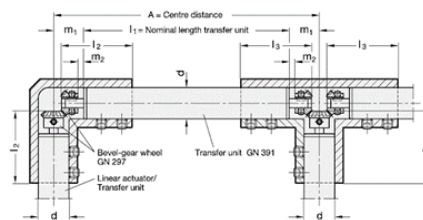
Article number: 2029840B30TSW

Description: E+G Angular gear housing - GN 298-40-B30-T-SW

Measures



Assembly of linear actuators and transfer units with bevel gear wheels in housings GN 298



d	l ₂	l ₃	m ₁	m ₂	Bevel gear wheel	Housing	Length of the transfer unit GN 99t: l ₁ = A - 2 x m ₁
18	42	41	20	4	GN 297-17,5-K6	GN 298-26-B18-W/T-SW	
30	58	57	25	1	GN 297-26-K8	GN 298-40-B30-W/T-SW	
40	74	72	32	1	GN 297-35-K12	GN 298-50-B40-W/T-SW	
50	90	82	32	1	GN 297-35-K12	GN 298-60-B50-W/T-SW	

d = B30

l₁ = 84

l₂ = 126

S = 40

Weight (g) = 280